

ASSEMBLY AND INSTALLATION INSTRUCTIONS

X-CK08 / X-CK12

WARNING: BE SURE TO SHUT OFF POWER AT THE MAIN FUSE OR CIRCUIT BREAKER BOX BEFORE INSTALLING OR SERVICING THIS FIXTURE.

NOTE: 1. Before installing, consult local electrical codes for wiring and grounding requirements. 2. READ AND SAVE THIS INSTRUCTION.

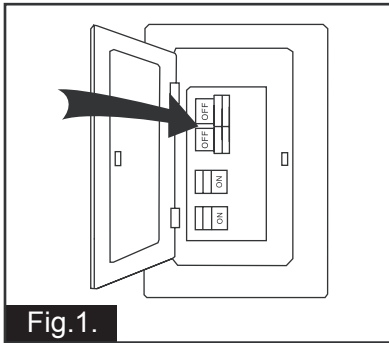


Fig. 1. Turn OFF the electric power at the main fuse or circuit breaker box.

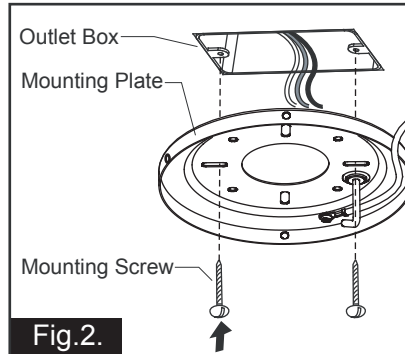


Fig. 2. Secure the mounting plate to the outlet box with 2 mounting screws. (To reduce the risk of fire, electric shock or personal injury, mount to the outlet box marked "Acceptable for fan support" and use mounting screws provided with the outlet box.)

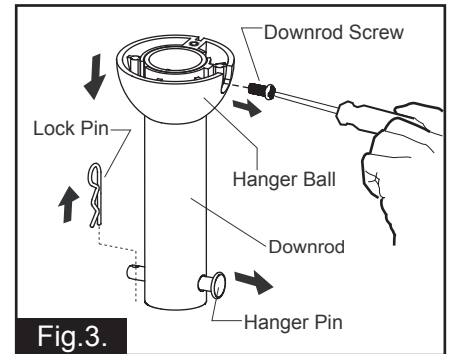


Fig. 3. Make sure the downrod unit is 3/4" downrod. Loosen the downrod screw and move the hanger ball downward. Remove the lock pin and then hanger pin from downrod.

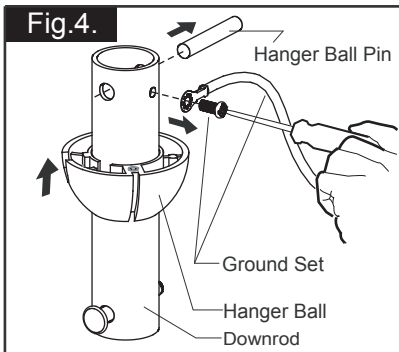


Fig. 4. Take off the hanger ball pin and ground wire set. Move the hanger ball away.

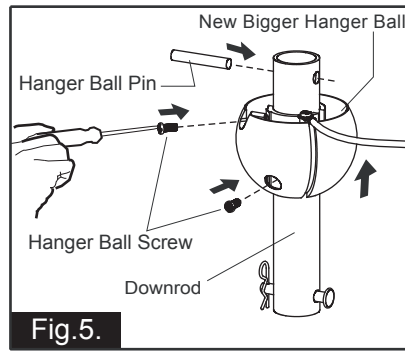


Fig. 5. Take the new bigger hanger ball, place the downrod through the center hole of it. Restore the hanger ball pin to the downrod. Then slide the new hanger ball up into position, secure it with two hanger ball screws.

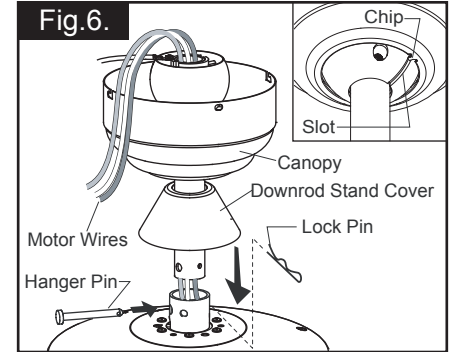


Fig. 6. Thread the motor wires through downrod stand cover (if necessary), canopy (included) and downrod set. Make sure that the slot of hanger ball is aimed into the chip of canopy exactly. Follow the Ceiling Fan Installation Instruction to install this downrod set into the ceiling fan.

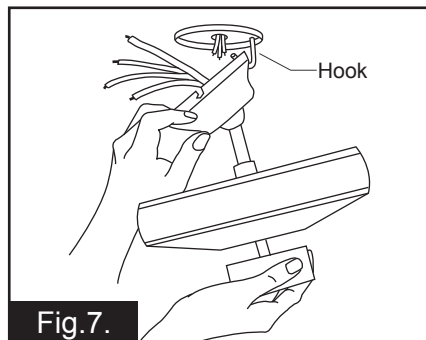


Fig. 7. Hang the ceiling fan in the hook of hanger plate. Make wire connection (follow the Ceiling Fan Installation Instruction).

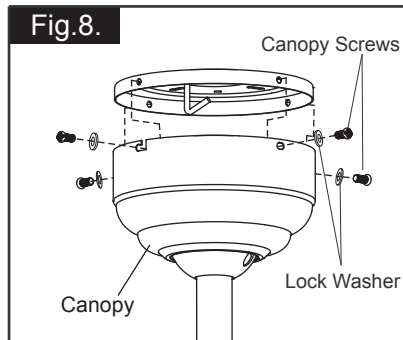


Fig. 8. Secure the canopy to the mounting plate by using lock washers and canopy screws.