

JONATHAN ADLER

PARKER

S667

Pendant Sconce

1 - 60W Max.

Bulb Type: A

Direct Wire Only

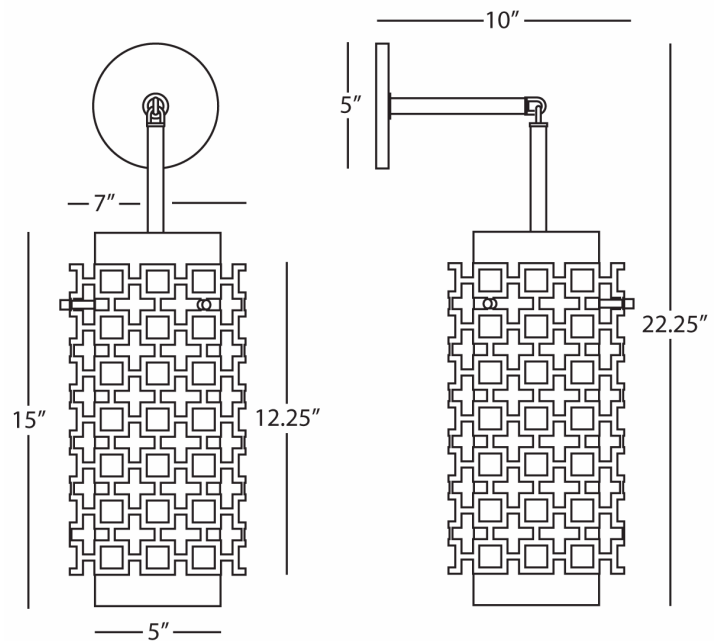
Polished Nickel over Metal

Frosted White Cased Glass Shade

Perforated Metal Outer Shade

FINISH OPTIONS:

667 - Antique Brass



**** Available for Quick SHIP ****