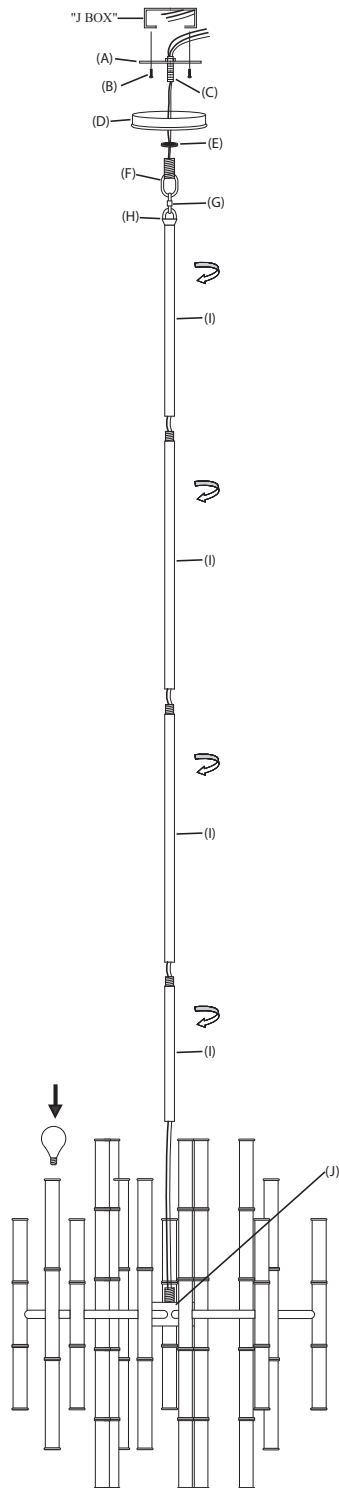


ASSEMBLY INSTRUCTIONS FOR YOUR

Jonathan Adler MEURICE 30 LIGHT CHANDELIER



IMPORTANT SAFETY INSTRUCTIONS:

- * These instructions are provided for your safety. It is very important that they are read completely before beginning the installation of your fixture.
- * **WE STRONGLY RECOMMEND INSTALLATION BY A LICENSED ELECTRICIAN.**
- * Turn off power at switch before replacing bulbs.
- * If any special control devices are used with this fixture, follow the instructions carefully to assure full compliance with N.E.C. requirements. If there are any questions, contact a qualified electrical contractor.
- * This fixture is UL rated for dry locations.

ASSEMBLY INSTRUCTIONS:

1. SHUT OFF THE MAIN ELECTRICAL SUPPLY AT FUSE BOX/ CIRCUIT BREAKER.
2. Remove all parts from carton. Do not throw away any parts.
3. Remove quick link (G) from hang straight (F). Keep quick link (G) attached to loop (H).
4. Remove cross bar (A) (with threaded tube (C) and hang straight (F) attached) from canopy (D). Do this by unthreading collar (E) from hang straight (F). Carefully slide collar (E) down extensions (I) until it rests on threaded tube (J). Slide canopy (D) over hang straight (F) and down extensions (I) until it rests on collar (E).
5. Affix cross bar (A) (with threaded tube (C) and hang straight (F) attached) to ceiling outlet box using screws (B) provided.
6. Measure desired drop for fixture to hang and add/remove extension tubes (I) to reach desired position. Guide wiring through extension tubes before threading tubes together.
TO ADD/REMOVE EXTENSIONS: (Un)Thread the threaded tube of one extension out of/into the threaded opening of the next extension. Make sure wiring is pulled tight when threading extensions together to prevent damage to the wire.
7. Thread bottom extension tube (I) onto threaded tube (J).
8. Lift fixture to ceiling and secure quick link (G) to hang straight (F). Carefully guide wire through hang straight (F) and threaded tube (C) into ceiling outlet box.
9. Make proper electrical connections noted in steps 10-12. A LICENSED ELECTRICIAN IS RECOMMENDED.
10. Attach ground wire from fixture (green or silver in color) to ground wire from outlet box. Fasten wires together with wire nut (N) and tightly wrap connection with electrical tape.
11. Attach hot wire from fixture (black in color or smooth side of wire) to hot wire from outlet box. Fasten wires together with wire nut (N) and tightly wrap connection with electrical tape.
12. Attach neutral wire from fixture (white in color or ribbed side of wire) to neutral wire from outlet box. Fasten wires together with wire nut (N) and tightly wrap connection with electrical tape.
13. Carefully push wire connections back into ceiling outlet box.
14. Gently push wires back into ceiling outlet box.
15. Slide canopy (D) up extensions (I) and hold flush against ceiling. To secure position of canopy (D), slide collar (E) up extensions (I) and thread it onto the hang straight (F). Turn until hand tight.
16. Install thirty (30) 25W MAX. Type G, candelabra base bulbs into the sockets.
17. Reconnect main electrical supply from the fuse box/ circuit breaker and test the fixture.

To clean, use soft cloth only. Do not use any chemical or abrasive cleaners.